

Super Sport Cast Rear Caliper P2 34 Code 120B27810

Spare Parts • Ricambi

*Pin+Split+Spring/
Perni+Graffetta+ Molla*
20511611

Bleeding Screw Cover / Cappuccio Spurgo
05150210

Bleeding Screw / Vite spurgo
05338710



Fits on European sport bikes equipped with OE Brembo rear caliper.

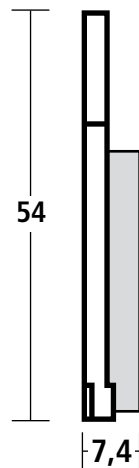
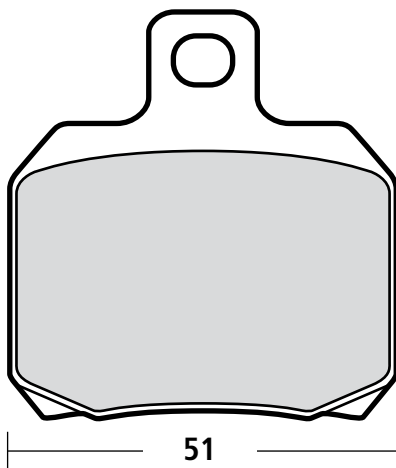
Si monta sulle moto sportive Europee equipaggiate con pinza posteriore originale Brembo.

Technical Characteristics • Caratteristiche Tecniche

<i>Pistons / Pistoni Ø</i>	34 mm.
<i>Construction Material / Materiale</i>	<i>Casting Aluminium / Alluminio Fuso</i>
<i>Finishing / Finissaggio</i>	<i>Titanium Anodizing / Anodizzazione color Titanio</i>
<i>Weight (with pads) / Massa (con pastiglie)</i>	465 gr.
<i>Brake Fluid / Fluido Freni</i>	DOT 4
<i>Hardware / Viteria</i>	Steel / Acciaio
<i>Pistons / Pistoni</i>	<i>Aluminium / Alluminio</i>
<i>Center to Center / Interasse</i>	84 mm.
<i>Offset / Offset</i>	16 mm.

*With specific support for Supersport Motorcycle.
Pinza specifica completa di supporto.*

120B27811 (Honda CBR 1000 RR '08 - '12)
120B27812 (Suzuki GSX - R 1000 '07 - '08)
120B27816 (Suzuki GSX - R 1000 '09 →)
120B27813 (Kawasaki ZX 10R '08 - '10)
120B27814 (Yamaha YZF R1 '06 →) No Tcs



Pads • Pastiglie

Code	Performance	Life
07BB2035	•	•
07BB2065	+	+
Sintered		

*Fits only with Marchesini wheels.
Si monta solo con ruote Marchesini.*

1

SuperSport CNC Rear Caliper P2 34

Code 120A44110 (Hard anodizing)

Code 120A44130 (Black anodizing)

Code 120A44140 (Nickel coating)

Spare Parts • Ricambi

Spindle / Perno + Copiglie
122508940

Bleeding Screw / Vite Spurgo
05338752

Bleeding Screw Cover / Cappuccio Spurgo
05150220



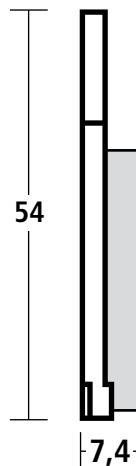
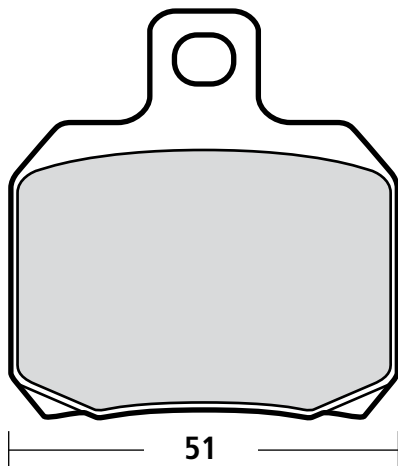
Fits on European sport bikes equipped with OE Brembo rear caliper.

Si monta sulle moto sportive Europee equipaggiate con pinza posteriore originale Brembo.

Technical Characteristics • Caratteristiche Tecniche

Pistons / Pistoni Ø	34 mm.
Construction Material / Materiale	CNC Aluminium / Alluminio CNC
Finishing / Finissaggio	Hard Anodizing / Anodizzazione Dura
Weight (with pads) / Massa (con pastiglie)	581 gr.
Brake Fluid / Fluido Freni	DOT 4
Hardware / Viteria	Steel / Acciaio
Pistons / Pistoni	Aluminium / Alluminio
Center to Center / Interasse	84 mm.
Offset / Offset	10 mm.

See next page for application list.
Vedi pagina successiva per lista applicazioni.



Pads • Pastiglie

Code	Performance	Life
07BB2035	•	•
07BB2065	+	+
Sintered		

SuperSport CNC Rear Caliper P2 34 with Support



*Fits only with Marchesini wheels.
Si monta solo con ruote Marchesini.*

Code	Model	Years	Finishing
120A44111	Honda CBR 1000 RR	2008 > 2012	Hard Anodizing - Anodizzata dura
120A44112	Suzuki GSX-R 1000	2007 > 2009	Hard Anodizing - Anodizzata dura
120A44113	Kawasaki ZX 10 R	2008 > 2010	Hard Anodizing - Anodizzata dura
120A44114	Yamaha R1 (no TCS version)	2006 >	Hard Anodizing - Anodizzata dura
120A44116	Suzuki GSX-R 1000	2009 >	Hard Anodizing - Anodizzata dura
120A44131	Honda CBR 1000 RR	2008 > 2012	Black Anodizing - Anodizzata nera
120A44132	Suzuki GSX-R 1000	2007 > 2009	Black Anodizing - Anodizzata nera
120A44133	Kawasaki ZX 10 R	2008 > 2010	Black Anodizing - Anodizzata nera
120A44134	Yamaha R1 (no TCS version)	2006 >	Black Anodizing - Anodizzata nera
120A44136	Suzuki GSX-R 1000	2009 >	Black Anodizing - Anodizzata nera
120A44141	Honda CBR 1000 RR	2008 > 2012	Nickel Coating - Nichelata
120A44142	Suzuki GSX-R 1000	2007 > 2009	Nickel Coating - Nichelata
120A44143	Kawasaki ZX 10 R	2008 > 2010	Nickel Coating - Nichelata
120A44144	Yamaha R1 (no TCS version)	2006 >	Nickel Coating - Nichelata
120A44146	Suzuki GSX-R 1000	2009 >	Nickel Coating - Nichelata

*For Technical Characteristics, spare parts and brake pads see previous page.
Per Caratteristiche Tecniche, ricambi e pastiglie, vedi pagina precedente.*

1

Rear CNC Caliper P2 24 Code X206001



Spare Parts • Ricambi

Spring / Molletta
X206007

Bleeding Screw / Vite Spurgo
101739

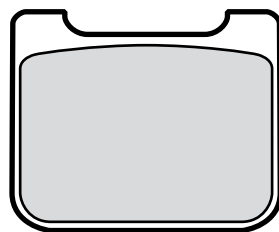
Pads Retainer / Molletta Rit. Pastiglie
X988819

Bleeding Screw Cover / Cappuccio Spurgo
05150210

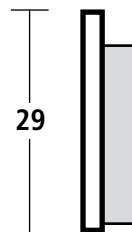
Technical Characteristics • Caratteristiche Tecniche

Pistons / Pistoni Ø	24 mm.
Construction Material / Materiale	CNC Aluminium / Alluminio CNC
Finishing / Finissaggio	Hard Anodizing / Anodizzazione Dura
Weight (with pads) / Massa (con pastiglie)	198 gr.
Brake Fluid / Fluido Freni	DOT 4
Hardware / Viteria	Titanium / Titanio
Pistons / Pistoni	Titanium / Titanio
Center to Center / Interasse	64 mm.
Offset / Offset	16,5 mm.

To be used with 24 mm. rotor brake disc height.
Pastiglia da utilizzare con fascia frenante h = 24 mm.



35,75



29

7,6

Pads • Pastiglie

Code	Performance	Life
07934090	•	•
07934080	++	+
Sintered		

Rear CNC Caliper P4 24 Code X206101



Spare Parts • Ricambi

Spring / Molletta
X206007

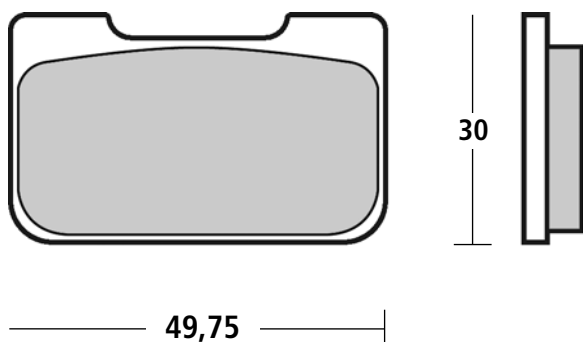
Bleeding Screw / Vite Spurgo
101739

Pads Retainer / Molletta Rit. Pastiglie
X988819

Bleeding Screw Cover / Cappuccio Spurgo
05150210

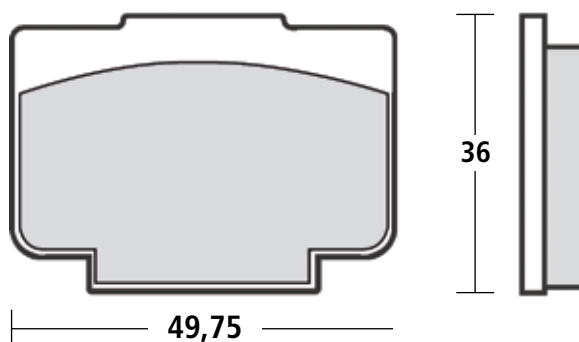
Technical Characteristics • Caratteristiche Tecniche

Pistons / Pistoni Ø	24 mm.
Construction Material / Materiale	CNC Aluminium / Alluminio CNC
Finishing / Finissaggio	Hard Anodizing / Anodizzazione Dura
Weight (with pads) / Massa (con pastiglie)	262 gr.
Brake Fluid / Fluido Freni	DOT 4
Hardware / Viteria	Titanium / Titanio
Pistons / Pistoni	Titanium / Titanio
Center to Center / Interasse	64 mm.
Offset / Offset	16,5 mm.
To be used with 24 mm. rotor brake disc height. Pastiglia da utilizzare con fascia frenante h = 24 mm.	To be used with 30 mm. rotor brake disc height. Pastiglia da utilizzare con fascia frenante h = 30 mm.



Pads • Pastiglie

Code	Performance	Life
07934020 Th = 7,6	•	•
07934070 Sinter Th = 7,5	++	+



Pads • Pastiglie

Code	Performance	Life
07934010 Th = 7,6	•	•
07934040 Sinter Th = 7,5	++	+

1

Rear CNC Caliper P4 24 (for rear ventilated disc) Code X206121



Spare Parts • Ricambi

- Spring / Molletta
X206007

- Bleeding Screw / Vite Spurgo
101739

- Pads Retainer / Molletta Rit. Pastiglie
X988819

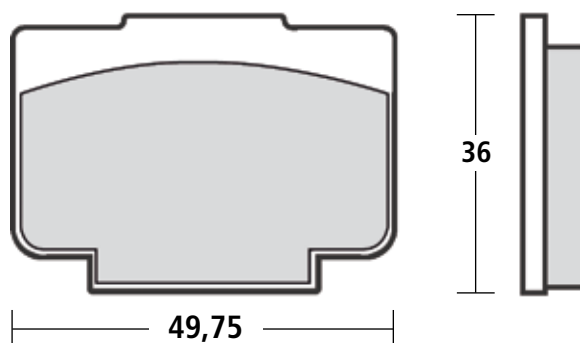
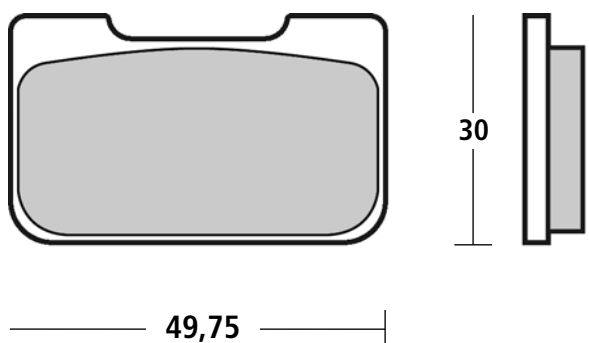
- Bleeding Screw Cover / Cappuccio Spurgo
05150210

Technical Characteristics • Caratteristiche Tecniche

Pistons / Pistoni Ø	24 mm.
Construction Material / Materiale	CNC Aluminium / Alluminio CNC
Finishing / Finissaggio	Hard Anodizing / Anodizzazione Dura
Weight (with pads) / Massa (con pastiglie)	262 gr.
Brake Fluid / Fluido Freni	DOT 4
Hardware / Viteria	Titanium / Titanio
Pistons / Pistoni	Titanium / Titanio
Center to Center / Interasse	64 mm.
Offset / Offset	16,5 mm.

To be used with 24 mm. rotor brake disc height.
Pastiglia da utilizzare con fascia frenante h = 24 mm.

To be used with 30 mm. rotor brake disc height.
Pastiglia da utilizzare con fascia frenante h = 30 mm.



Pads • Pastiglie

Code	Performance	Life
07934020 Th = 7,6	•	•
07934070 Sinter Th = 7,5	++	+

Pads • Pastiglie

Code	Performance	Life
07934010 Th = 7,6	•	•
07934040 Sinter Th = 7,5	++	+

Rear CNC Caliper P2 34 Code X988870



Spare Parts • Ricambi

Spring / Molletta
X988815

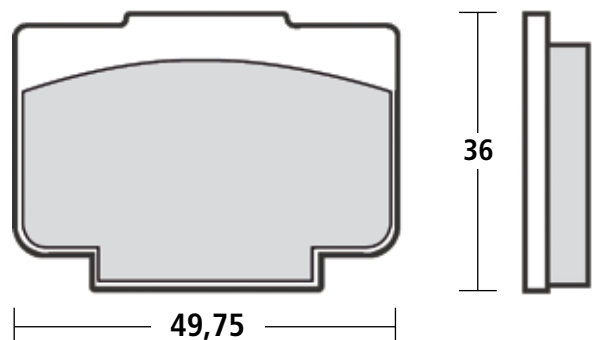
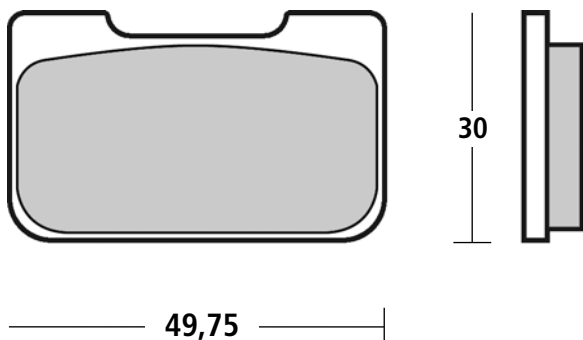
Pads retainer / Molletta rit. pastiglie
X988818

Bleeding screw / Vite spurgo
101739

Bleeding screw cover / Cappuccio spurgo
05150210

Technical Characteristics • Caratteristiche Tecniche

Pistons / Pistoni Ø	34 mm.
Construction Material / Materiale	CNC Aluminium / Alluminio CNC
Finishing / Finissaggio	Hard Anodizing / Anodizzazione Dura
Weight (with pads) / Massa (con pastiglie)	394 gr.
Brake Fluid / Fluido Freni	DOT 4
Hardware / Viteria	Titanium / Titanio
Pistons / Pistoni	Titanium / Titanio
Center to Center / Interasse	64 mm.
Offset / Offset	16,5 mm.
To be used with 24 mm. rotor brake disc height. Pastiglia da utilizzare con fascia frenante h = 24 mm.	To be used with 30 mm. rotor brake disc height. Pastiglia da utilizzare con fascia frenante h = 30 mm.



Pads • Pastiglie

Code	Performance	Life
07934020 Th = 7,6	•	•
07934070 Sinter Th = 7,5	++	+

Pads • Pastiglie

Code	Performance	Life
07934010 Th = 7,6	•	•
07934040 Sinter Th = 7,5	++	+

1

Rear CNC Caliper P2 30 Code XA1J040



Spare Parts • Ricambi

Spindle / Perno
XA1J009

Pin / Copiglia
05454217

Pads retainer / Molletta rit. pastiglie
XA1J046

Bleeding screw / Vite spurgo
101739

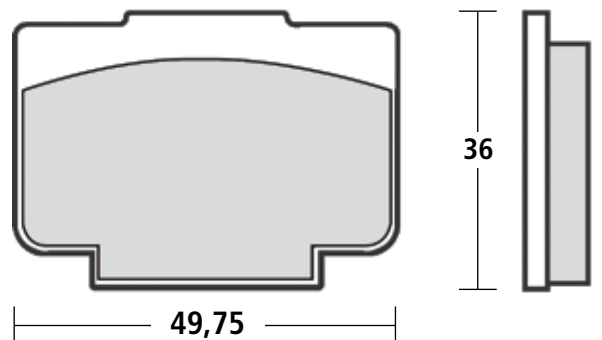
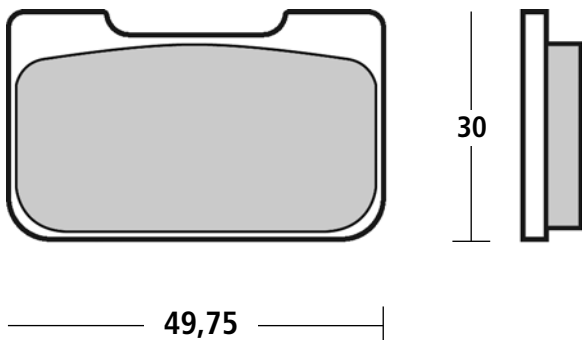
Bleeding screw cover / Cappuccio spurgo
05150210

Technical Characteristics • Caratteristiche Tecniche

Pistons / Pistoni Ø	30 mm.
Construction Material / Materiale	CNC Aluminium / Alluminio CNC
Finishing / Finissaggio	Hard Anodizing / Anodizzazione Dura
Weight (with pads) / Massa (con pastiglie)	348 gr.
Brake Fluid / Fluido Freni	DOT 4
Hardware / Viteria	Titanium / Titanio
Pistons / Pistoni	Titanium / Titanio
Center to Center / Interasse	64 mm.
Offset / Offset	16,5 mm.

To be used with 24 mm. rotor brake disc height.
Pastiglia da utilizzare con fascia frenante h = 24 mm.

To be used with 30 mm. rotor brake disc height.
Pastiglia da utilizzare con fascia frenante h = 30 mm.



Pads • Pastiglie

Code	Performance	Life
07934020 Th = 7,6	•	•
07934070 Sinter Th = 7,5	++	+

Pads • Pastiglie

Code	Performance	Life
07934010 Th = 7,6	•	•
07934040 Sinter Th = 7,5	++	+