

# Motard Axial Caliper P4 34 Code XA32950



## Spare Parts • Ricambi

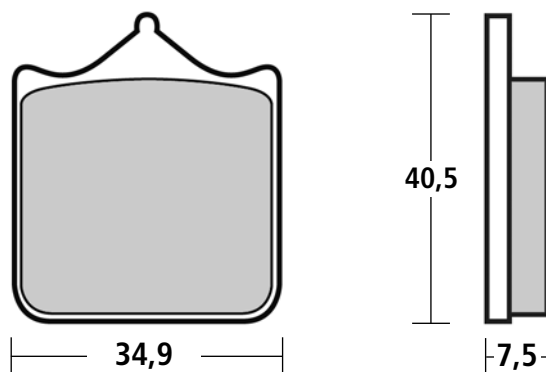
Spindle + Spring / Perno + Molla  
22484956

Bleeding Screw / Vite Spurgo  
05338752

Bleeding Screw Cover / Cappuccio Spurgo  
05150220

## Technical Characteristics • Caratteristiche Tecniche

Pistons / Pistoni Ø	34 mm.
Construction Material / Materiale	Casting Aluminium / Alluminio Fuso
Finishing / Finissaggio	Black Anodizing / Anodizzazione Nera
Weight / Massa	748 gr.
Brake Fluid / Fluido Freni	DOT 4
Hardware / Viteria	Steel / Acciaio
Pistons / Pistoni	Aluminium / Alluminio
Center to Center / Interasse	65 mm.
Offset / Offset	32 mm.



## Pads • Pastiglie

Code	Performance	Life
07BB05RC	•	•
RC Compound		
M478Z03	+	++
Z03 Compound		
M478Z04	++	+
Z04 Compound		

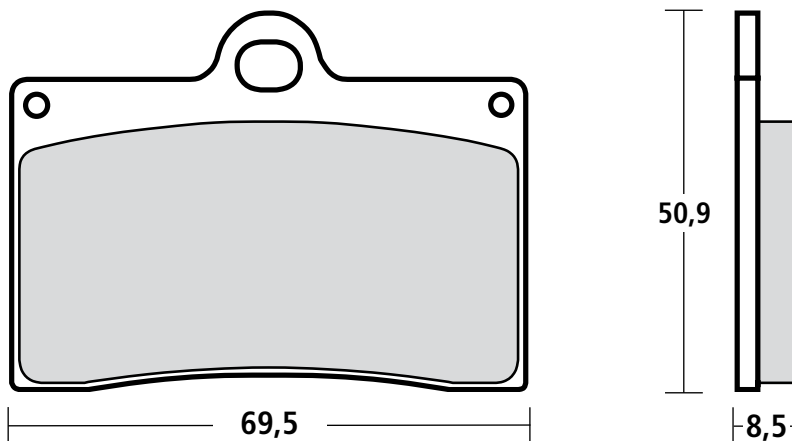
1

**KAWASAKI NINJA 250 / 300**  
**CNC Caliper Kit Code 120B76520**  
**Casted Caliper Kit Code 120B76620**  
**Disc Code for 250 108973749**  
**Disc Code for 300 108973757**



**Technical Characteristics • Caratteristiche Tecniche**

<i>Pistons / Pistoni</i>	30 / 34 mm.
<i>Construction Material / Materiale</i>	CNC Aluminium / Alluminio CNC
<i>Finishing / Finissaggio</i>	Hard Anod. - Gold Anod. / Anod. Dura - Anod. Oro
<i>Weight (without pads) / Peso (senza pastiglie)</i>	680 - 880 gr.
<i>Brake Fluid / Fluido Freni</i>	DOT 4
<i>Hardware / Viteria</i>	Steel / Acciaio
<i>Pistons / Pistoni</i>	Aluminium / Alluminio
<i>Center to Center / Interasse</i>	40 mm.
<i>Offset / Offset</i>	26,5 mm.



**Spare Parts • Ricambi**

<i>Spindle / Perno</i>	<b>120384081</b>
<i>Bleeding Screw / Vite Spurgo</i>	<b>105281213</b>
<i>Bleeding Screw Cover / Cappuccio Spurgo</i>	<b>05150210</b>
<i>Pin / Copiglia</i>	<b>105454221</b>

**Pads • Pastiglie**

Code	Performance	Life
<b>07BB1535</b>	•	•
Genuine		
<b>07BB15RC</b>	+	•
RC Compound		
<b>M538Z04</b>	++	+
Z04 Compound		