

## Radial RCS Brake M/C

**Code 110A26345** (Right Side)

**Code 110A26365** (Left Side)



### Technical Characteristics • Caratteristiche Tecniche

|   |                                       |
|---|---------------------------------------|
| <i>Pistons / Pistoni Ø</i>                        | 14 mm.                                |
| <i>Distance Center to Center / Interesse Leva</i> | 18 / 20 mm. (Adjustable)              |
| <i>Construction Material / Materiale</i>          | Forged Aluminium / Alluminio Forgiato |
| <i>Finishing / Finissaggio</i>                    | Hard Anodizing / Anodizzazione Dura   |
| <i>Weight / Massa</i>                             | 350 gr.                               |
| <i>Brake Fluid / Fluido Freni</i>                 | DOT 4                                 |

### Spare Parts • Ricambi

*Right Lever (Complete) for 14 RCS /  
Leva Completa DX per 14 RCS*  
**110A26399**

*Left Lever (Complete) for 14 RCS /  
Leva Completa SX per 14 RCS*  
**110A26395**

*Right Half Lever for 14 RCS / Mezza Leva DX per 14 RCS*  
**110A26398**

*Left Half Lever for 14 RCS / Mezza Leva SX per 14 RCS*  
**110A26394**

*Right Half Short Lever for 14 RCS /  
Mezza Leva DX Corta per 14 RCS*  
**110A26396**

*Left Half Short Lever for 14 RCS /  
Mezza Leva SX Corta per 14 RCS*  
**110A26392**

*Handlebar Clamp / Cavallotto*  
**110A26388**

*Rubber Cup and Sticker (flag) /  
Tappo in Gomma e Adesivo (bandierina)*  
**110A26389**

*Bleeding Screw / Vite Spurgo*  
**05338763**

*Bleeding Screw Cover / Cappuccio Spurgo*  
**05150210**

*Lever Pivot / Perno Leva*  
**110459291**

*Oil Reservoir Connection / Raccordo Serbatoio*  
**10312720**

*Micro Switch*  
**110467195**

*Lever Adj. (with blade) / Reg. Leva (con molletta)*  
**110A26377**

## RCS Master Cylinder Accessories



5

### RCS Accessories • Accessori RCS

*"Low drag" Right Lever / Leva Freno DX con Intaglio*  
**110A26378**

*"Low drag" Left Lever / Leva Freno SX con Intaglio*  
**110A26379**

*Right clamp with M8x1,25 mirror fitting / Cavallotto Destro Porta Specchio M8x1,25*  
**110A26380**

*Left clamp with M8x1,25 mirror fitting / Cavallotto Sinistro Porta Specchio M8x1,25*  
**110A26380**

*Remote Adjuster*  
**110A26384**

*Reservoir Kit 45 cc. / Kit Serbatoio 45 cc.*  
**110A26385**

*Reservoir Kit 15 cc. / Kit Serbatoio 15 cc.*  
**110A26387**

*CNC Clamp (red logo) / Cavallotto CNC (logo rosso)*  
**110A26387**

*Right Clamp with M10x1,25 Mirror Fitting / Cavallotto DX Porta Specchio M10x1,25*  
**110A26390**

*Left Clamp with M10x1,25 Mirror Fitting / Cavallotto SX Porta Specchio M10x1,25*  
**110A26391**

## CNC Caliper Kit YAMAHA T-MAX Code 220B76510

### Spare Parts • Ricambi

Spindle / Perno

120384081

Bleeding Screw / Vite spurgo

05281213

Pin / Copiglia

105454221

Bleeding screw cover / Cappuccio spurgo

05150210

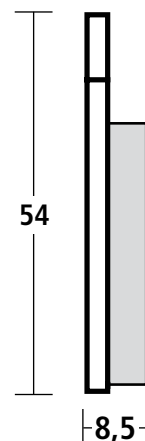
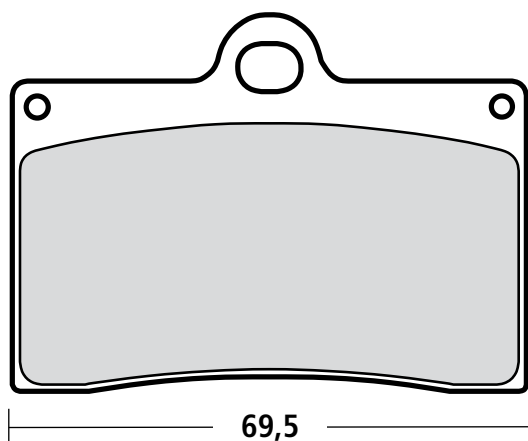


### Technical Characteristics • Caratteristiche Tecniche

|  |                                     |
|--|-------------------------------------|
| Pistons / Pistoni                              | 30 / 34 mm.                         |
| Construction Material / Materiale              | CNC Aluminium / Alluminio CNC       |
| Finishing / Finissaggio                        | Hard Anodizing / Anodizzazione Dura |
| Weight (without pads) / Peso (senza pastiglie) | 580 gr. No Staffa                   |
| Brake Fluid / Fluido Freni                     | DOT 4                               |
| Hardware / Viteria                             | Steel / Acciaio                     |
| Pistons / Pistoni                              | Aluminium / Alluminio               |
| Center to Center / Interasse                   | 40 mm.                              |
| Offset / Offset                                | 26,5 mm.                            |

CNC bracket black hard anodized with Brembo Racing laser marked logo.

Staffa CNC anodizzata nero con logo Brembo Racing laserato.



### Pads • Pastiglie

| Code                    | Performance | Life |
|-------------------------|-------------|------|
| 07BB1535<br>Genuine     | •           | •    |
| 07BB15RC<br>RC Compound | +           | •    |
| M538Z04<br>Z04 Compound | ++          | +    |

#### Note

To be used with original brake disc.  
Original brake MIC has to be replaced  
with Brembo PS16 or radial Ø 19.

#### Nota

Si monta con disco originale.  
Richiede la sostituzione della pompa freno  
orig. con pompa Brembo PS16 o radiale Ø 19.

## Cast Caliper Kit YAMAHA T-MAX Code 220B76610

### Spare Parts • Ricambi

Spindle / Perno

**120320433**

Bleeding Screw / Vite spurgo

**105338760**

Pin / Copiglia

**105454221**

Spring / Molletta

**120419685**



Bleeding screw cover / Cappuccio spurgo

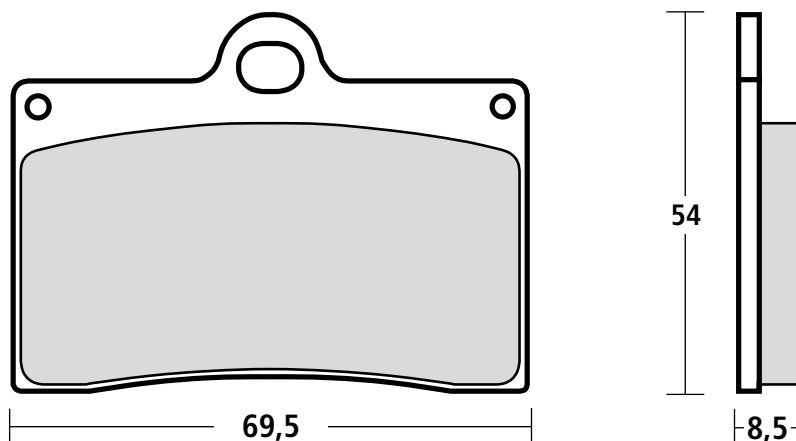
**05150210**

### Technical Characteristics • Caratteristiche Tecniche

|  |                               |
|--|-------------------------------|
| Pistons / Pistoni                              | 30 / 34 mm.                   |
| Construction Material / Materiale              | Casting Aluminium / Alluminio |
| Finishing / Finissaggio                        | Anodizing / Anodizzazione     |
| Weight (without pads) / Peso (senza pastiglie) | 700 gr. No Staffa             |
| Brake Fluid / Fluido Freni                     | DOT 4                         |
| Hardware / Viteria                             | Steel / Acciaio               |
| Pistons / Pistoni                              | Aluminium / Alluminio         |
| Center to Center / Interasse                   | 40 mm.                        |
| Offset / Offset                                | 26,5 mm.                      |

CNC bracket black hard anodized with Brembo Racing laser marked logo.

Staffa CNC anodizzata nero con logo Brembo Racing laserato.



### Pads • Pastiglie

| Code                           | Performance | Life |
|--------------------------------|-------------|------|
| <b>07BB1535</b><br>Genuine     | •           | •    |
| <b>07BB15RC</b><br>RC Compound | +           | •    |
| <b>M538Z04</b><br>Z04 Compound | ++          | +    |

#### Note

To be used with original brake disc.  
Original brake MIC has to be replaced  
with Brembo PS16 or radial Ø 19.

#### Nota

Si monta con disco originale.  
Richiede la sostituzione della pompa freno  
orig. con pompa Brembo PS16 o radiale Ø 19.